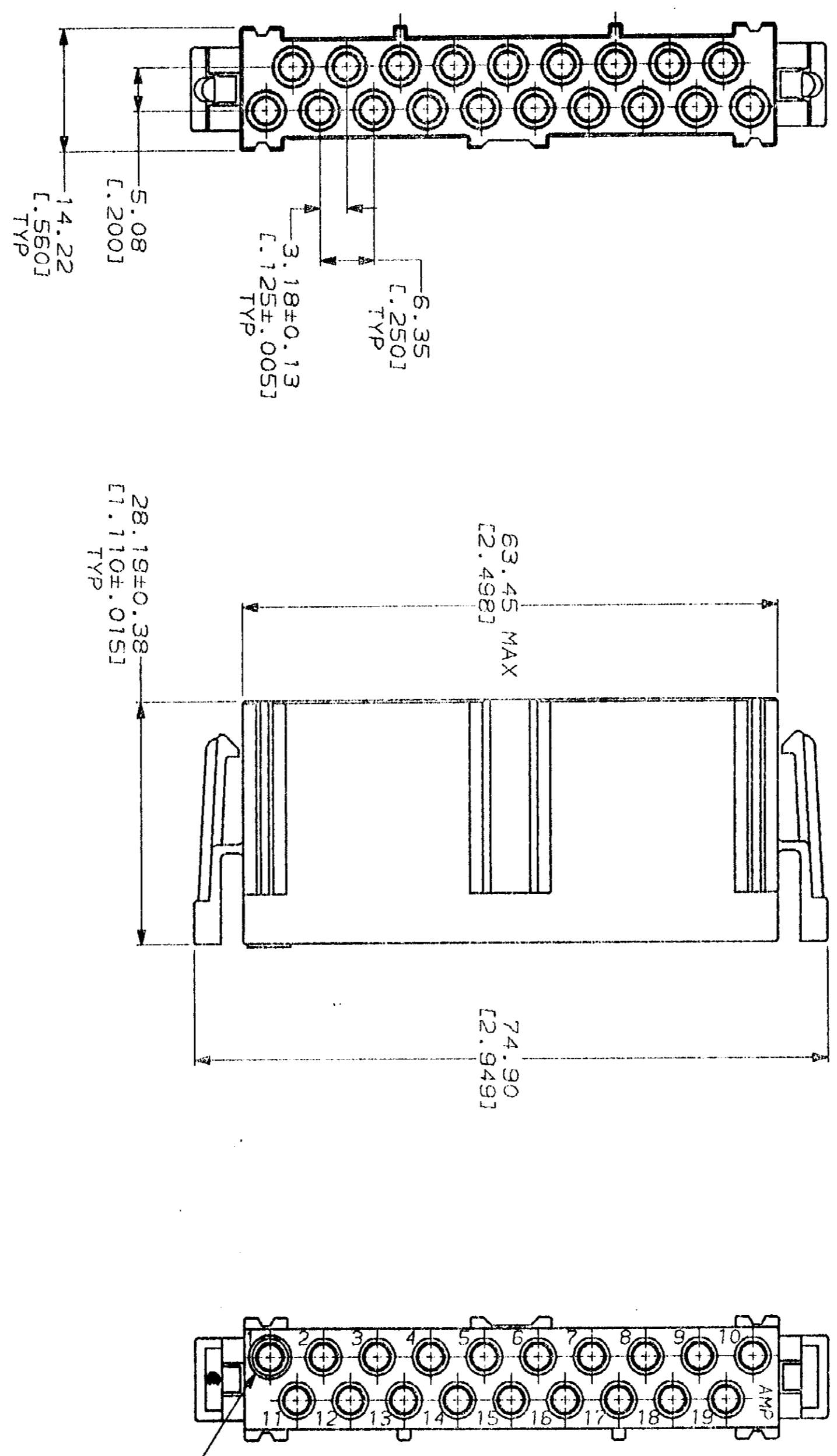


DRAWING MADE IN THIRD ANGLE PROJECTION  
 THIS DRAWING IS UNPUBLISHED. RELEASED FOR PUBLICATION  
 BY AMP INCORPORATED. ALL INTERNATIONAL RIGHTS RESERVED.  
 © COPYRIGHT 1979

NO	LOC	DIST	P	ZONE	LTR	DESCRIPTION	DATE	APPD
1	BD	39		D		REDRAWN PER ECN 506093	03/16/92	



DO NOT SCALE PRINT. UNLESS SPECIFIED (INCHES) DIMENSIONS IN (mm) (INCHES) TOLERANCES ON:		DR 03/16/92 L. SIPE	
2	PLC DEC ± 0.25 [0.010]	CHK 3-18-92	R. STONE
3	PLC DEC ±	APPD 3-18-92	A. TRAVIS
ANGLES MATERIAL NYLON, UL-94V-0 RATED, RED		APPD 3-18-92 C. RICHDE PRODUCT SPEC	
FINISH		APPLICATION SPEC	
WEIGHT		SCALE 2:1	
<b>AMP</b> AMP Incorporated Harrisburg, PA 17105-3668		NAME HOUSING, PLUG, 19 POSN, METRIMATE	
PART NO 208100-1		SIZE CAGE CODE 00779	
DRAWING NO 208100		SHEET 1 OF 1	

AMP 1471-4 REV 8-88  
 15 MAR 1992 4:46:05 amp2557/baw/560256/d9014023/amp2557/baw/d9014023/46093

CUSTOMER DRAWING